

RETSOL RS-P1450A

15" PCAP Touchscreen

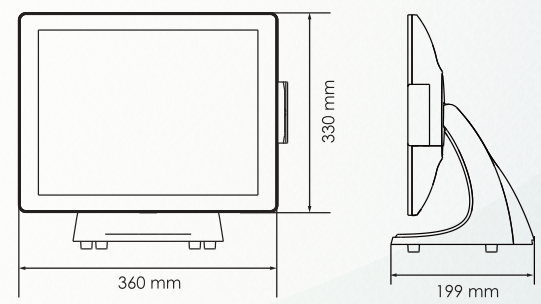
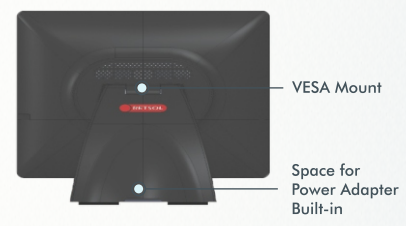
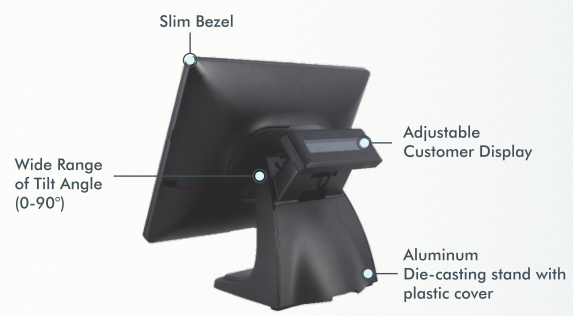
Features :

- Support Intel Celeron J1900 Processor
- IP54 Water and Dust Resistant Front panel
- VESA Mount Compliant
- 3 Track MSR, Customer display and 2nd display monitor Available



RS-P1450A Technical Specifications Applications

System	
Motherboard	MA-36
Processor	Intel Bay Trail CPU Celeron J1900, up to 2.4GHz
Graphic	CPU Integrated
System Memory	1x DDR3L SO-DIMM up to 8GB
Storage Device	1 x SSD (M.2) 256GB
LCD Touch Panel	
LCD Size	15" TFT LCD
Brightness	300 nits
Resolution	1024 x 768
Touch Screen	True - Flat PCAP Multi-Touch
External I/O Ports	
USB	1 x USB 3.0, 7 x USB 2.0
Serial Port	- COM1/2 (DB-9 RS232, Support DC 0V/+5V/+12V by jumper setting, default setting is DC 0V) - COM3 is DB-9, standard COM port
LAN	1 x RJ-45(10/100/1000 base T)
Cash Drawer	1 x RJ11 (2 in 1)
VGA	1 x DB-15 (Support DC 0V/+12V by jumper setting. Default setting is DC +12V)
DC Jack	1 x DC +12V jack with locked Screw
Power Button	1
Internal Speaker	N/A
LED Indicator	1 for Power LED
Power Adapter	60W / DC+12V input
Peripheral (Option)	
MSR	3-Track MSR, USB Type
iButton	USB Type
Customer Display	LCM display 2 x 20 characters, USB Type
2nd Display	15.1" / 300nits / 1024 x 768, VGA Type 11.6" / 250nits / 1366 x 768, VGA Type
RFID	USB Type
Fingerprint	USB Type
Mounting	VESA Mount 75 x 75 / 100 x 100
Environment	
Operating Temperature	0°C~30°C (32°F~95°F)
Storage Temperature	-20°C~60°C (-4°F ~ 140°F)
Humidity	20% ~ 80% RH non-condensing
Dimensions (WxDxH)	360 x 199 x 330 mm
Weight	5.01 kgs
OS Supported	WIN 10 IoT 2016
Certificate	CE/FCC
Warranty	One year factory warranty*



* Warranty - Against Manufacturing Defects on the Machine Specifications are subject to change without notice

